



Mobile office space



02 Le fonctionnel

		10'	20'	40'
Container	New (One trip)	1	1	1
Certification	Electrical Certification CSA A277	included	included	included
	Weldin Certification CSA W47,1	included	included	included
Sliding windows	36" x 36" with protective grille	1	2	2
Man door	36" x 80" with handle and deadbolt	1	1	1
Isolation uréthane 2"	Accessible fork holes	1	1	1
Interior finish	1/2" plywood	1	1	1
Floring		–	–	–
Hooks		–	–	–
Electrical Pannel	100 amps	1	1	1
Air conditioning	10,000 BTU with protective grille	1	1	1
Heating	1500 watts	1	2	4
	Wall-mounted thermostat	1	1	2
Electrical outlets	15 amps	1	2	4
Lighting	Interior, 48" LED neon	1	2	4
	Wall switch	1	1	1

Conteneurs Experts

1201, montée Labossière, Vaudreuil-Dorion (Québec) J7V 4J3 • 1 888 482-9674

www.conteneursexperts.com



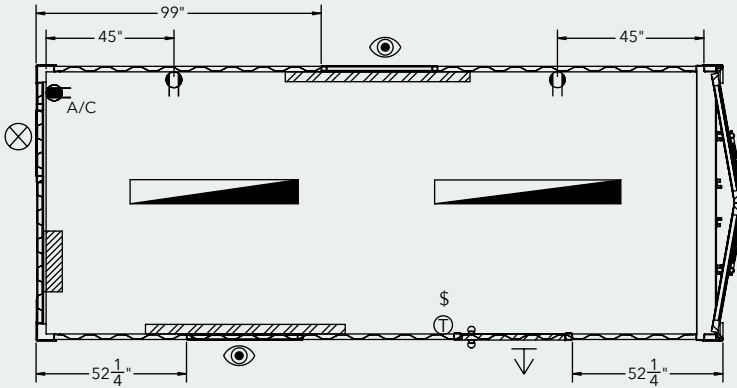
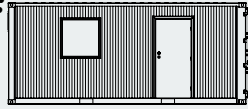
02

Le fonctionnel 20'







Interior dimension with interior finish :

Height Lenght Width

18' 9" 7' 5½" 7'



Electrical legend :

-  Electrical socket 110V / USB 15A
-  Electric panel
-  Thermostat
-  Switch
-  Neon
-  Electric baseboard

Aperture legend :

-  Window 36" X 36"
-  MDR door 36" X 80"
-  A/C 10 000 BTU

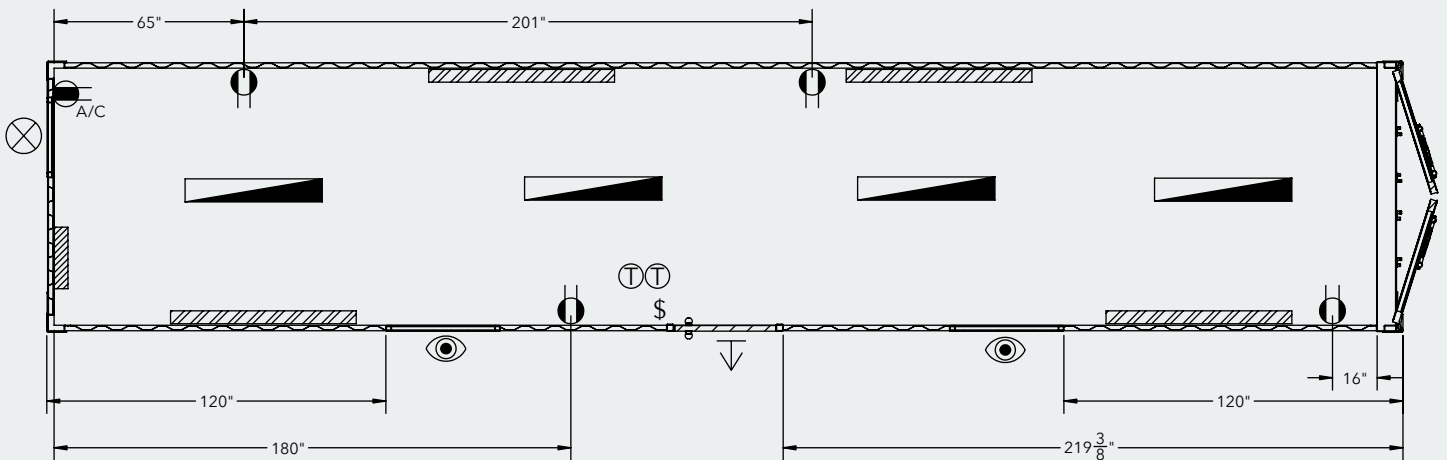
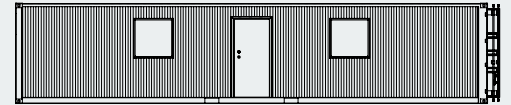
02

Le fonctionnel 40'

Interior dimension with interior finish :

Lenght Height Widht

38' 8" 7' 5½" 7'



1201, montée Labossière, Vaudreuil-Dorion (Québec) J7V 4J3 • 1 888 482-9674

www.conteneursexperts.com